

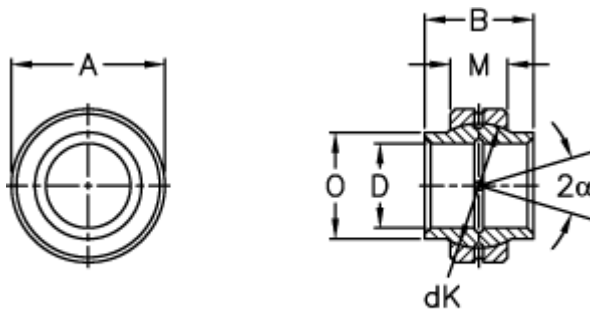
Data Sheet



Article number: 03504050

Description: Fluro Rod end GE 50LO

Measures



Str. 12 den smørerille

A	= 75 0 -0,013	Tilt angle = 4
B	= 50	Weight = 590
D	= 50 0 +0,025	
dK	= 66	
Dynamic load C (kN)	= 156	
M	= 28	
O	= 57	
Static load C0 (kN)	= 780	